

# BA6-15 Angle Bracket

## Description:

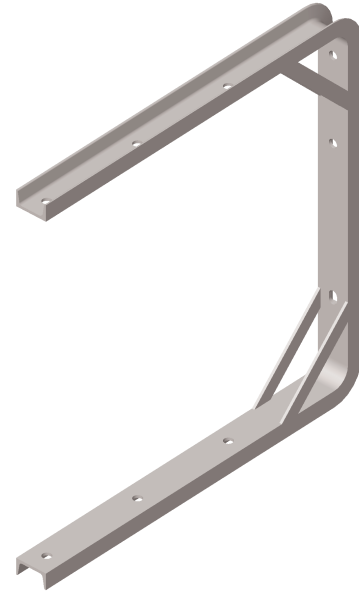
The BA6-15 is a double circuit angle bracket used with Hendrix Spacer Cable Systems. The bracket is formed using 3.0" channel and includes welded gussets for maximum strength. The bracket is hot dip galvanized after fabrication.

## Benefits:

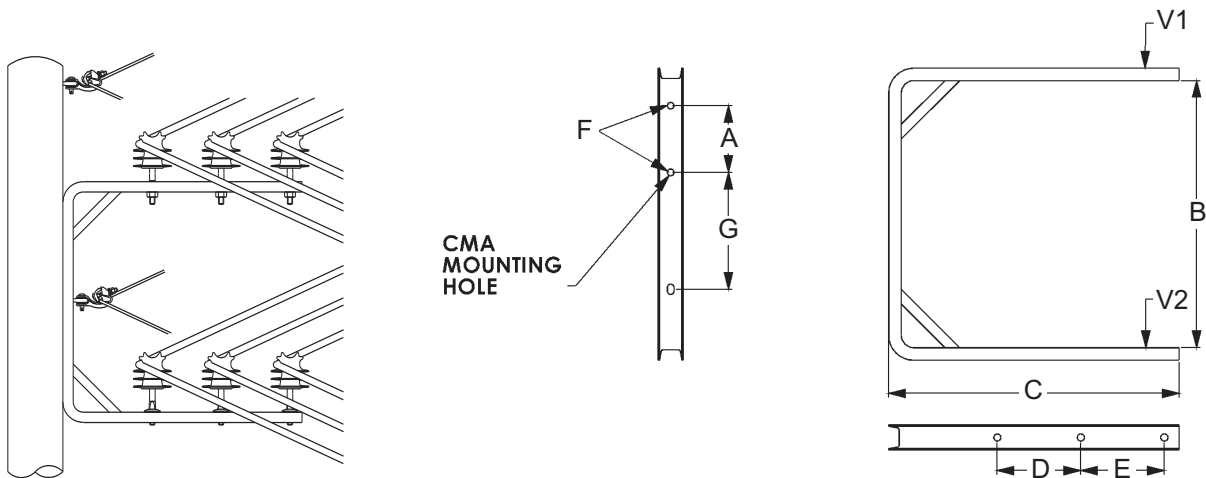
- Maintains close spacing of conductors
- Space saving alternative to using two single circuit brackets
- Ground Lug Provision

## Application:

The BA6-15 may be used on voltages through 35kV. The bracket should be applied along with Hendrix HPI polyethylene insulators and covered tie wire or HPI Vise-Top Insulators with 2IP plate, if required. The messenger mounting hole can be used in conjunction with CMA-1 or CMA-2 messenger clamps on angles from 7° - 60°. Pole mounting is accomplished using thru-bolts (not included).



System Voltage	Line Angle	Conductor Size	2IP Plate
15kV	7° - 60°	All conductors	not required
	61° - 90°	All conductors	required
25kV	7° - 44°	All conductors	not required
	45° - 60°	Below 336.4	not required
	45° - 60°	336.4 and larger	required
35kV	61° - 90°	All conductors	required
	7° - 44°	All conductors	not required
	45° - 60°	Below 336.4	not required
	45° - 60°	336.4 and larger	required
		Use of BA6-15 not recommended	



Catalog No.	System Voltage	Dimension (inches)							Min. Yield Load (lbs)		Weight (lbs)	Material
		A	B	C	D	E	F	G	V1	V2		
BA6-15	35kV and below	8	32	34 3/4	10	10	13/16	14	1,500	1,500	42.0	HDG ASTM A-36 Structural Steel