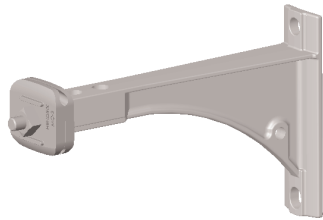


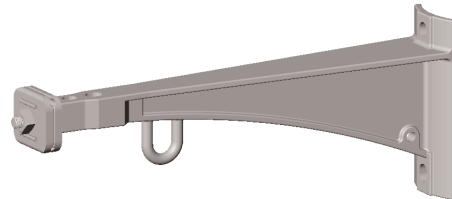
BM-14, BM-24 Tangent Brackets

Description:

The BM-14 and BM-24 are tangent brackets designed specifically for use with Hendrix Spacer Cable Systems. All tangent brackets are supplied with a Hendrix MC-2 messenger clamp.



BM-14



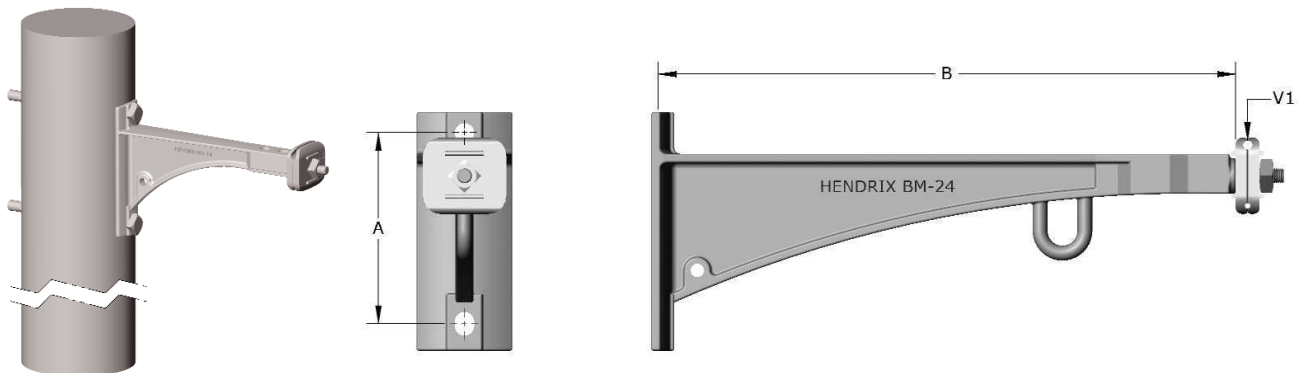
BM-24

Benefits:

- Designed to work in conjunction with Hendrix Roll-By installation equipment and allow continuous, uninterrupted pulling past tangent structures.
- Tangent brackets are designed for “back to back” double circuit construction
- Tangent brackets will accept a standard short shank insulator pin (up to 3/4" shank diameter) and insulator for single phase spacer cable angle construction as well as “armless” tree wire construction

Application:

BM brackets are designed to support the spacer cable messenger wire. They are used on tangent poles and line angles up to 6°. Pole mounting is accomplished using either 5/8" or 3/4" thru-bolts (not included).



Mounting tangent brackets to flat surfaces shall be assembled with aluminum shim plates. Contact Hendrix for further assistance.

Catalog No.	System Voltage	Dimension (inches)		Minimum Ultimate Load (lbs) V1 (vertical)	Weight (lbs)	Material
		A	B			
BM-14	15kV and below	8	14	3,200	8.6	HDG Ductile Iron
BM-24	46kV and below	8	24	6,000	19.0	HDG Ductile Iron